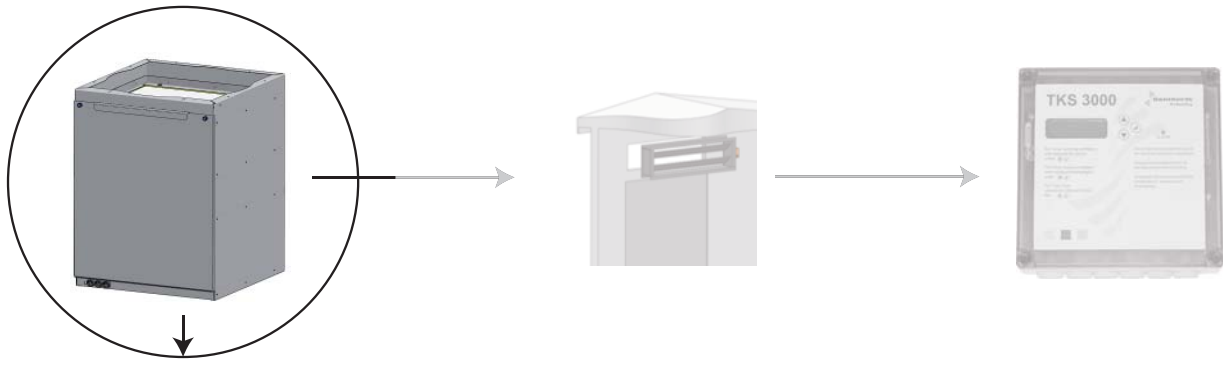


# **Flexibox fanbox**

Quick setup guide

Rev. 1.0

**Dantherm**<sup>®</sup>  
CONTROL YOUR CLIMATE



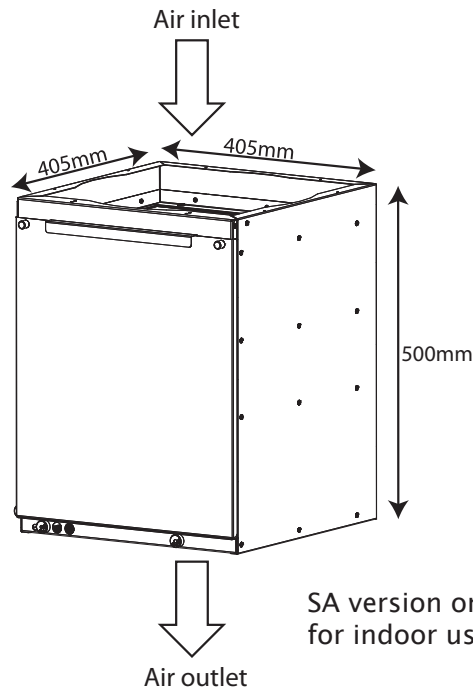
Flexibox 400  
Flexibox 450

No. 368400 / ODCA - CA - SA  
No. 368450 / ODCA - TWCA - CA - SA

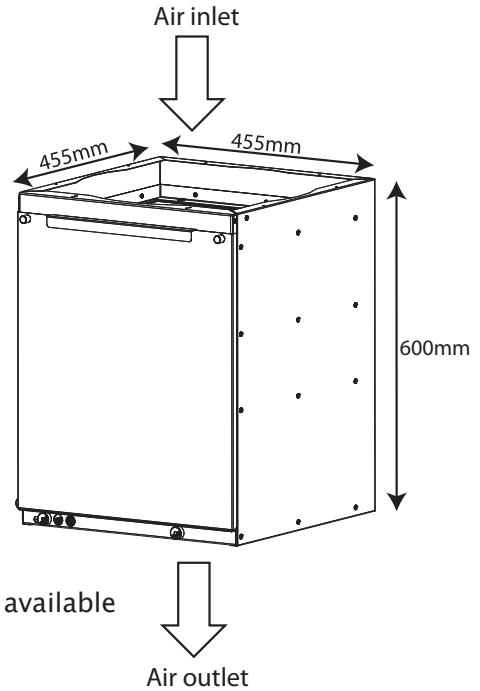
	<p>1x</p>
	<p>1x</p>
	<p>1x</p>
	<p>8-32x</p>
	<p>1x ø3 mm</p> <p>screw pre drilling</p>
	<p>1x ø4 mm</p> <p>Flexibox</p>
	<p>1x</p>

Product  
overview

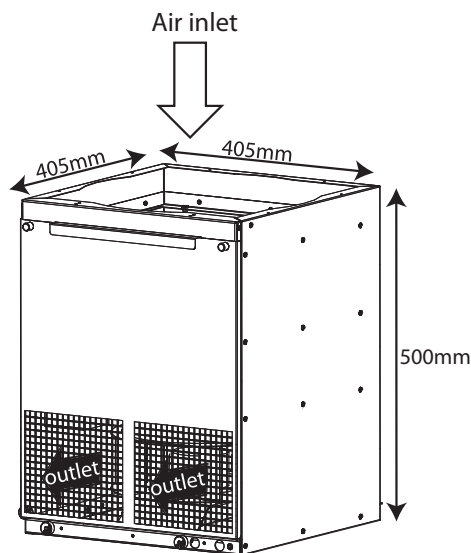
Flexibox 400  
SA=straight airflow



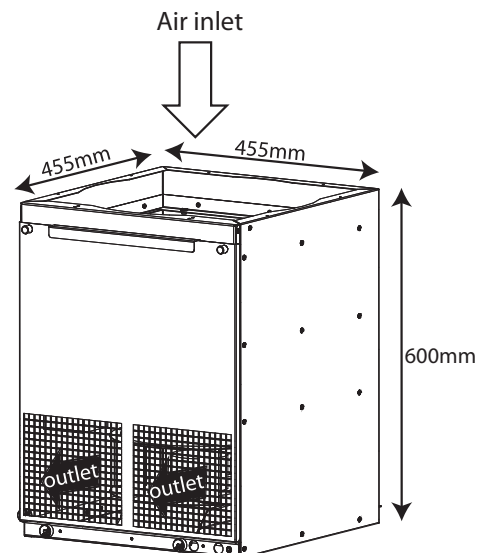
Flexibox 450  
SA=straight airflow



Flexibox 400  
CA=curved airflow



Flexibox 450  
CA=curved airflow



CA versions available in four variants: 1: outdoor, top inlet, 2: outdoor, bottom inlet, 3: indoor 4: through wall

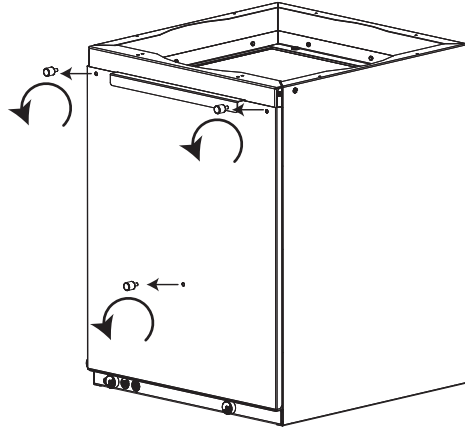
**Caution!**

- Keep minimum 300mm distance to air in/outlets to ensure correct air flow, and to avoid unwanted light objects to be drawn into the FlexiBox.
- Never do any installation or service work with any power connected when any Flexibox part is opened
- Always remove any burr from drilling or cutting, to avoid injuries.

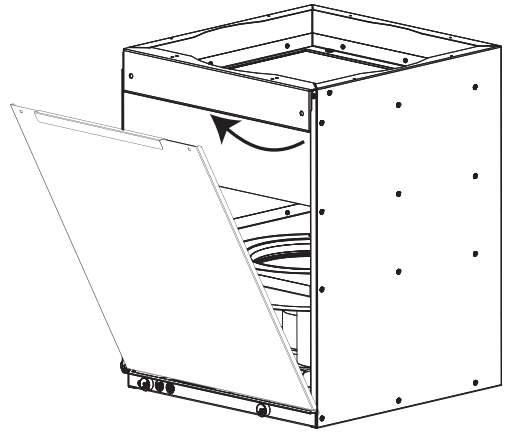
## Preparation

(Not valid for through wall version)

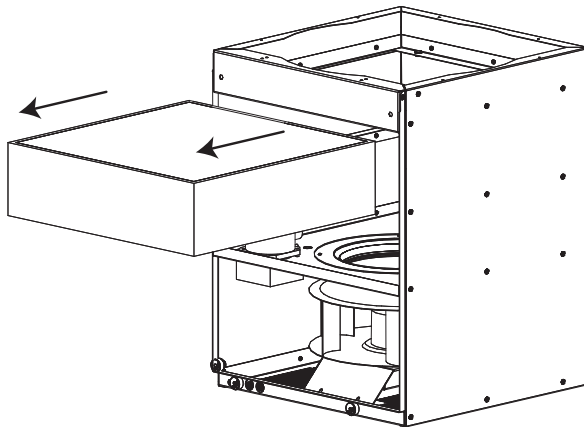
1 / 4



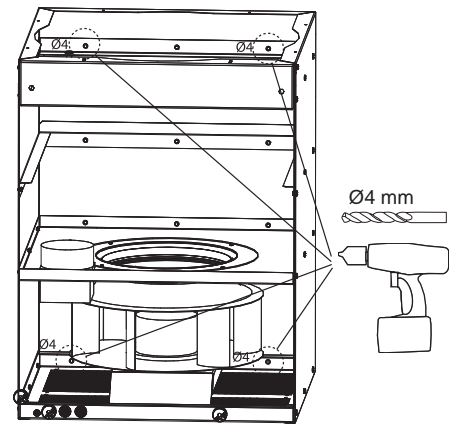
2 / 4



3 / 4



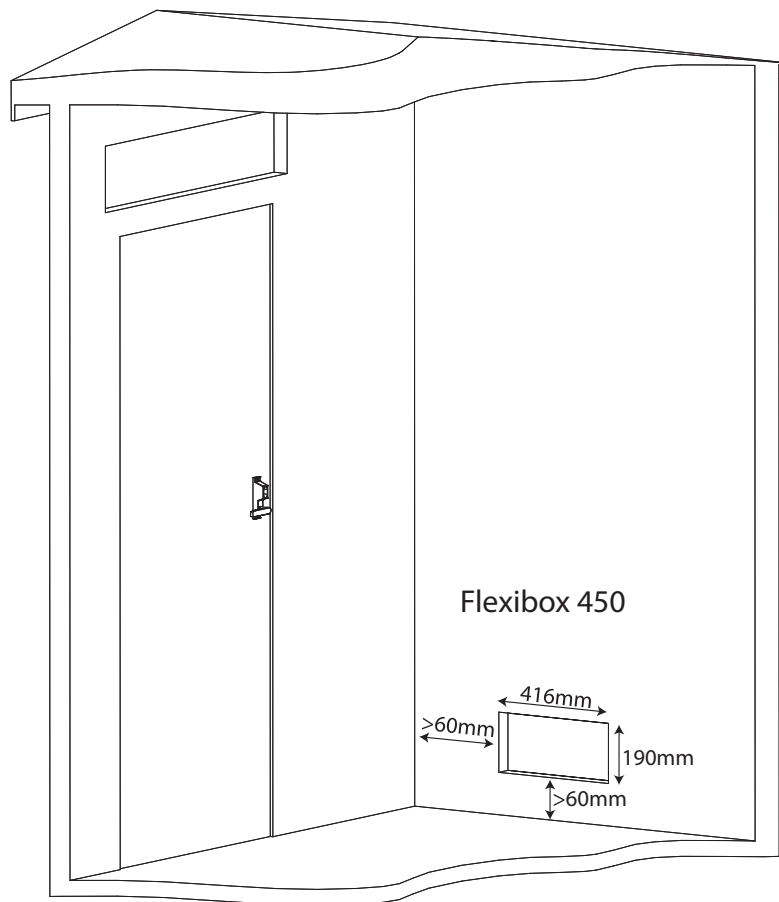
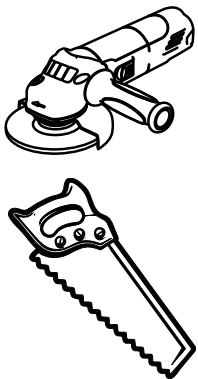
4 / 4



CA outdoor  
(top-inlet)

368450

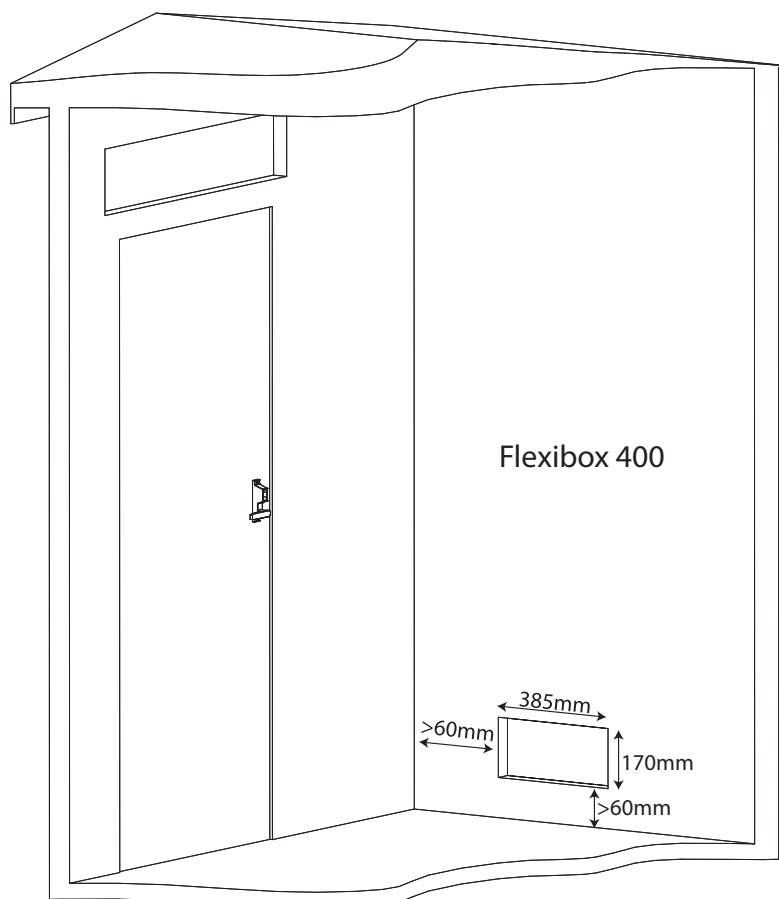
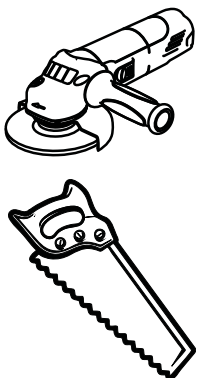
Step 1 / 2



CA outdoor  
(top-inlet)

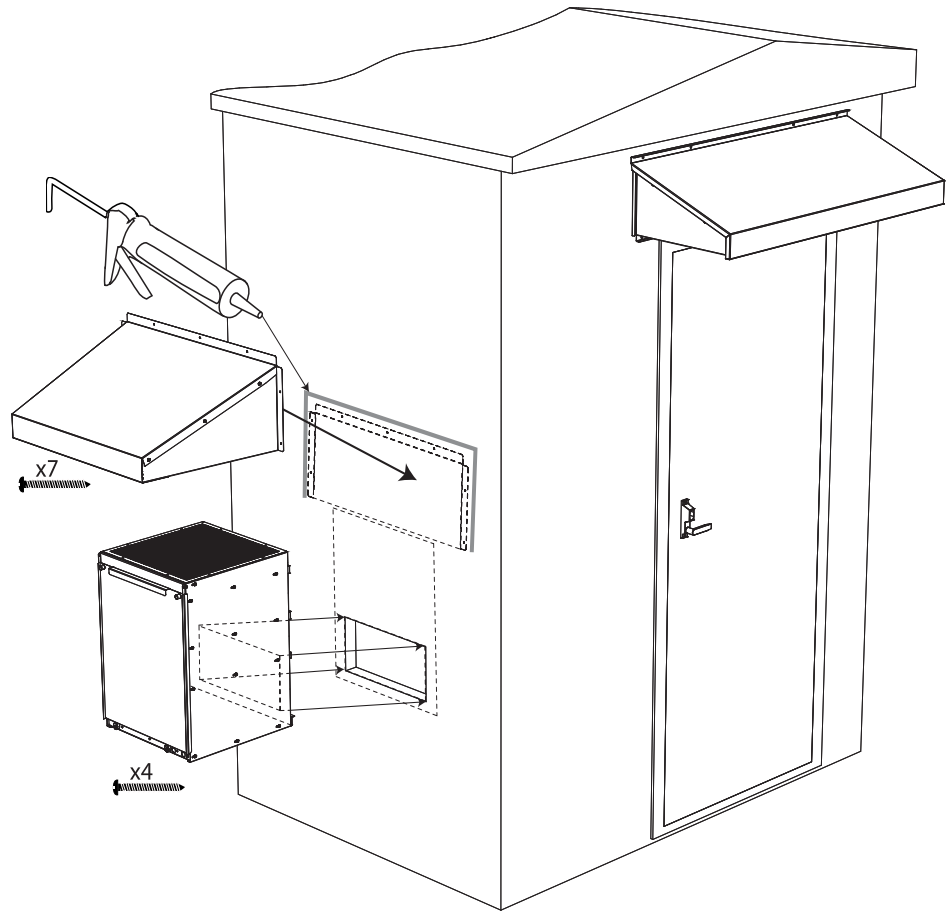
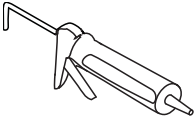
368400

Step 1 / 2



CA outdoor  
(top-inlet)

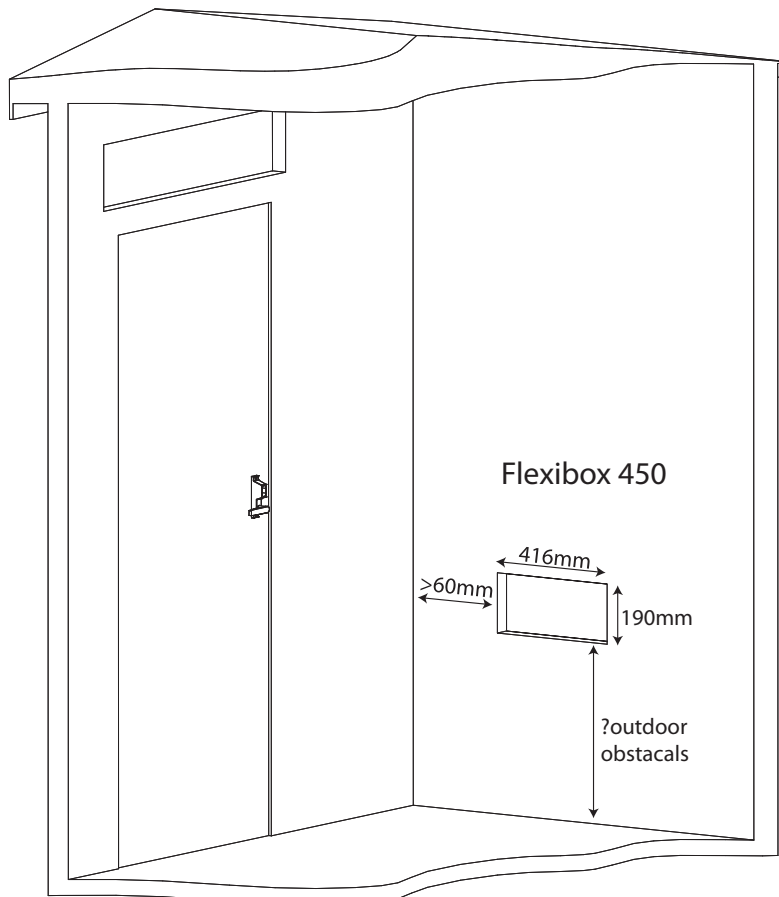
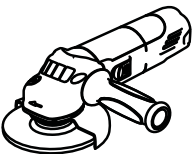
Step 2/2



CA outdoor  
(bottom  
inlet)

368450

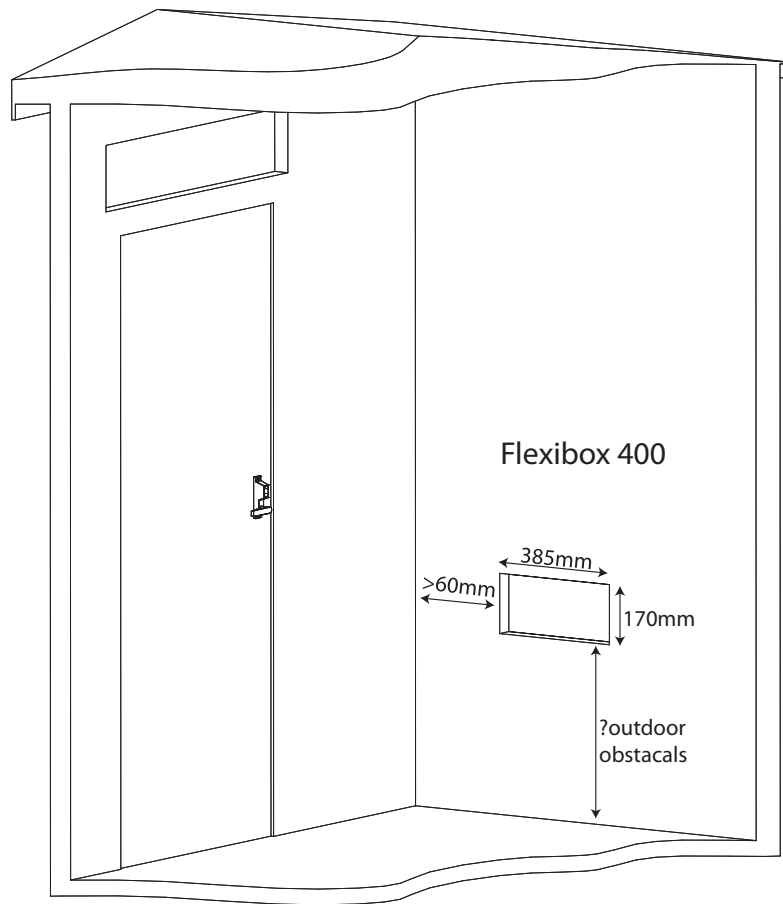
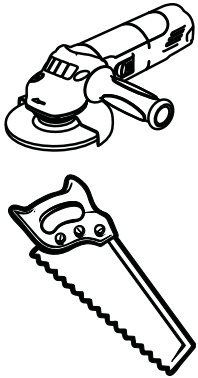
Step 1/2



CA outdoor  
(bottom  
inlet)

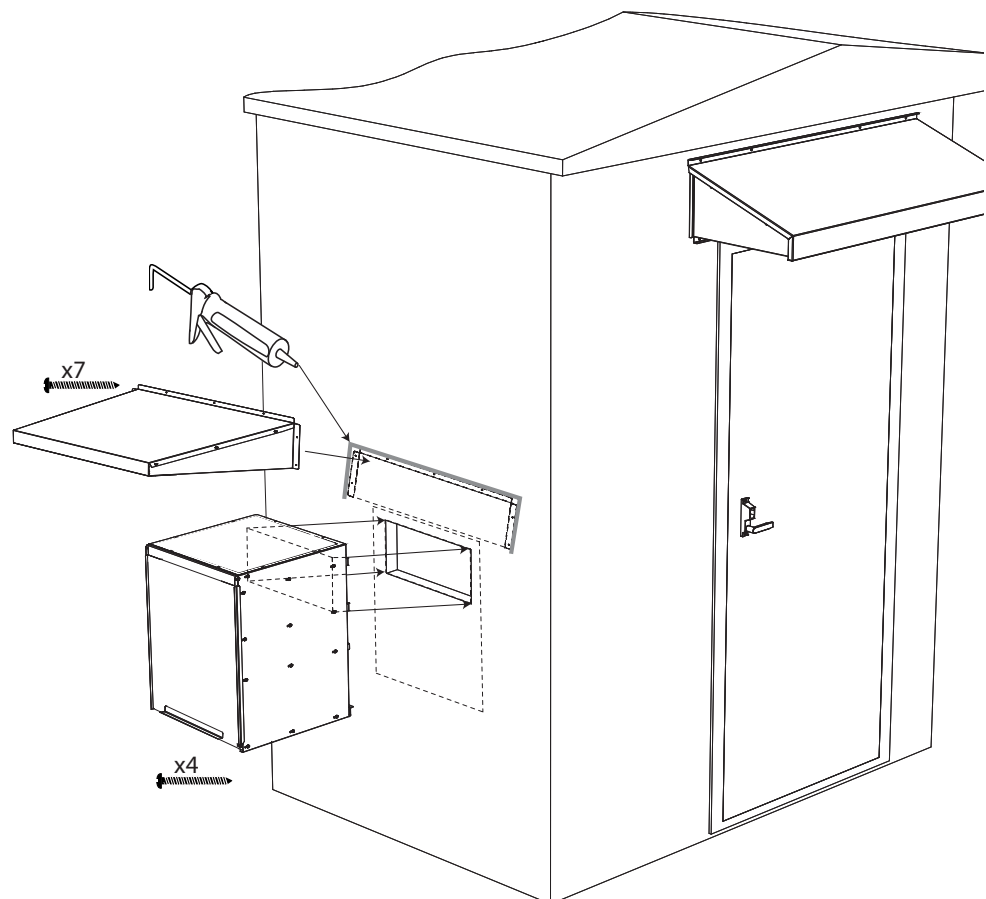
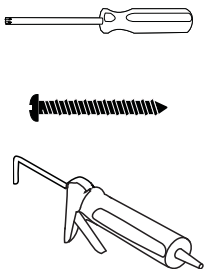
368400

Step 1 / 2



CA outdoor  
(bottom  
inlet)

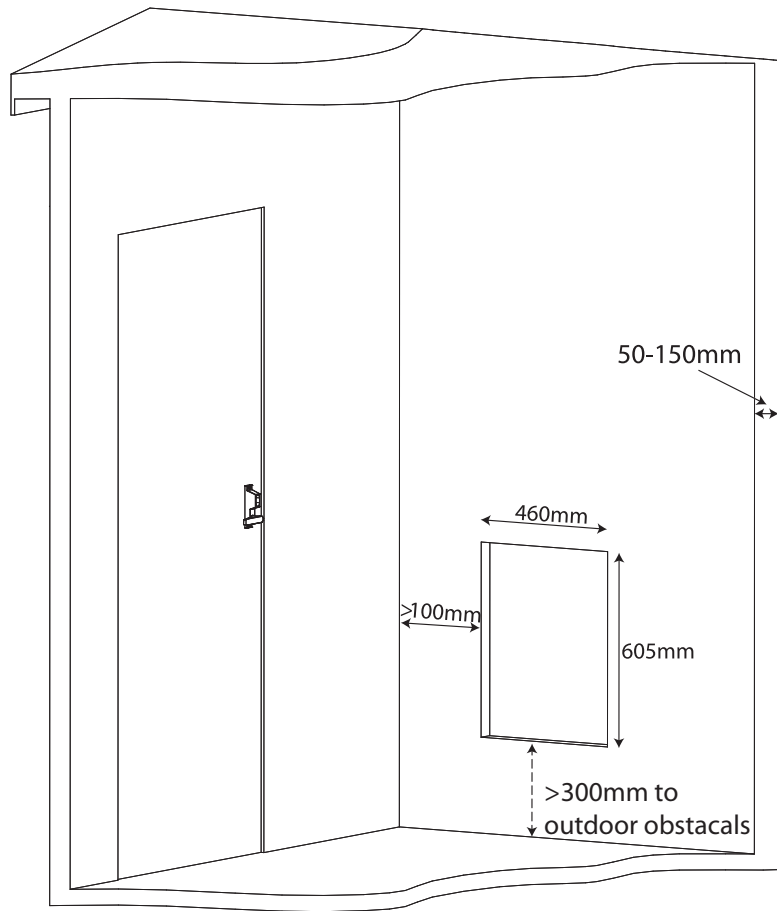
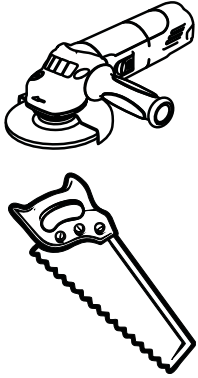
Step 2 / 2



Through wall

368450

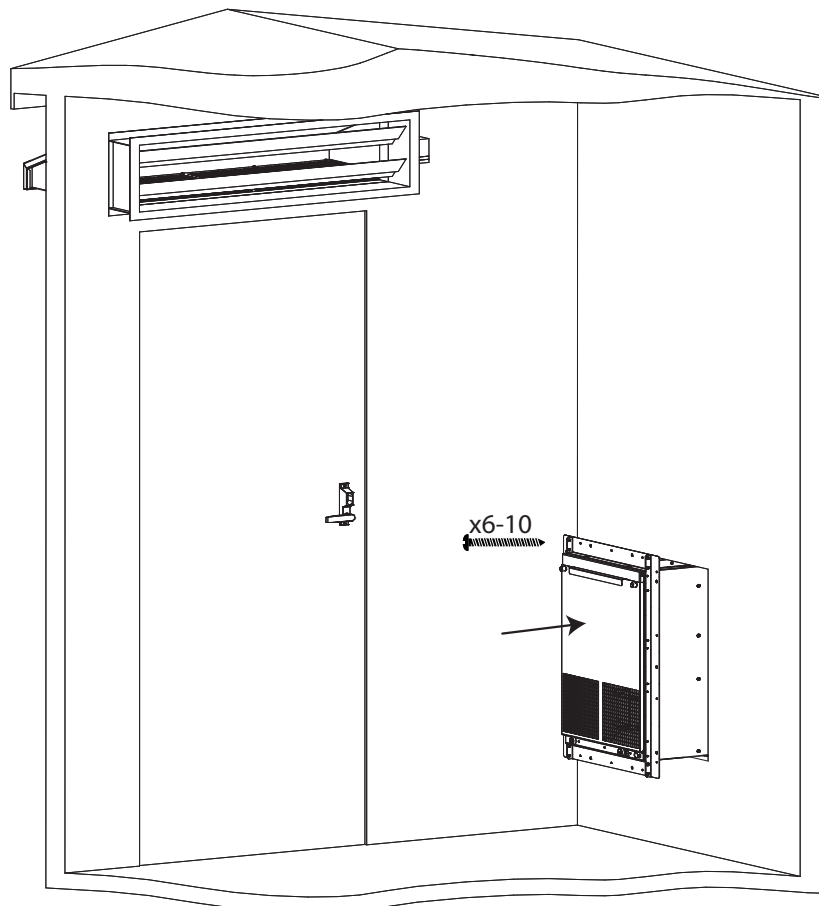
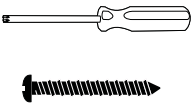
Step 1 / 3



Through wall

368450

Step 2 / 3

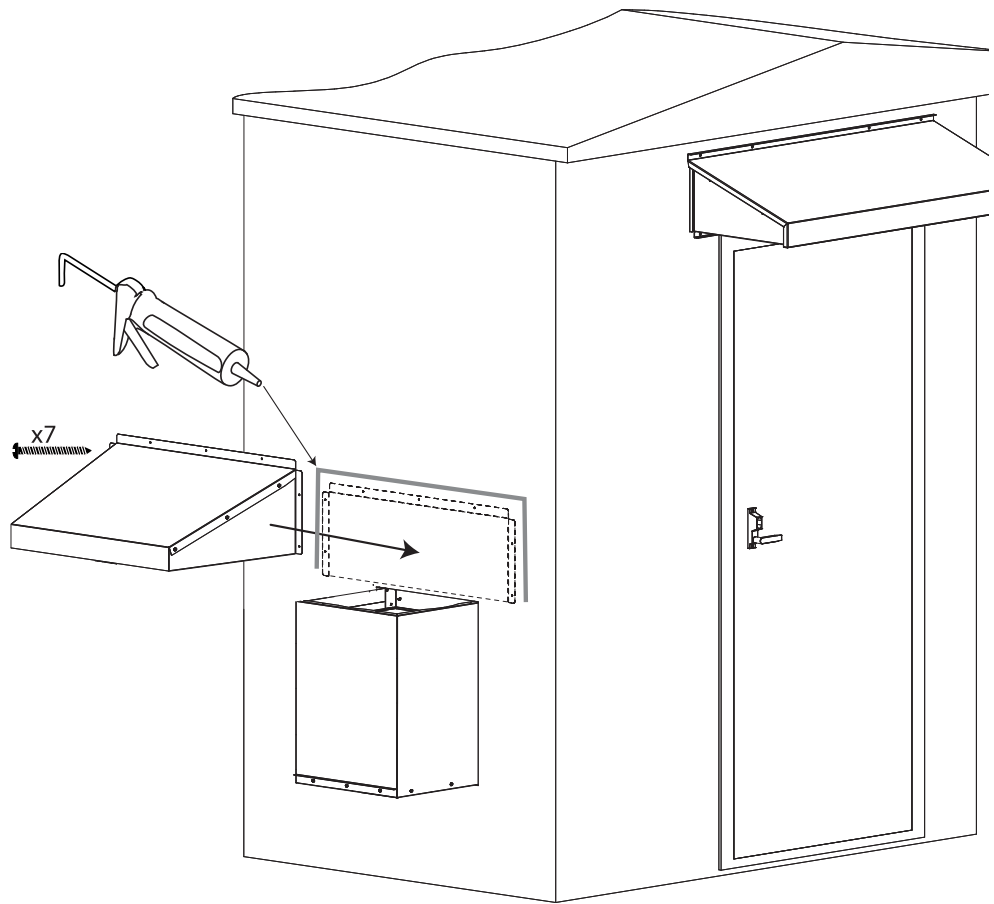
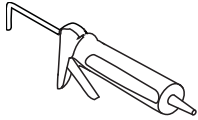
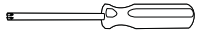




Through wall

368450

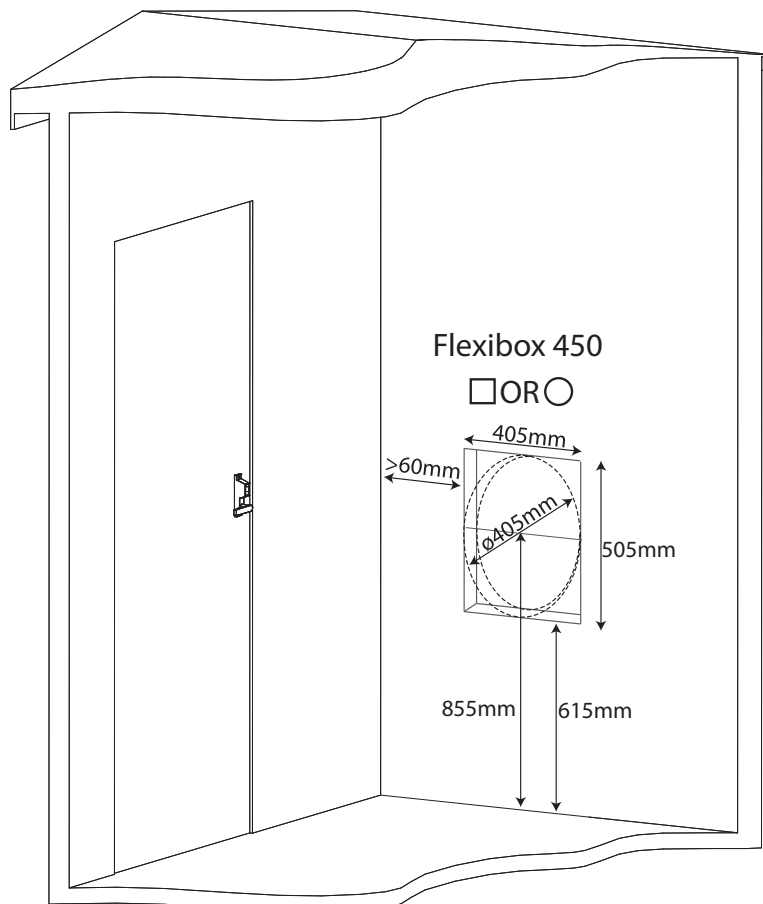
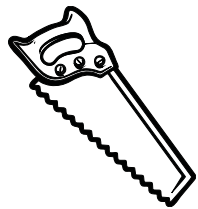
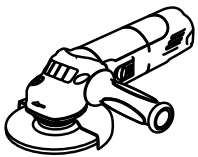
Step 3/3



CA indoor

368450

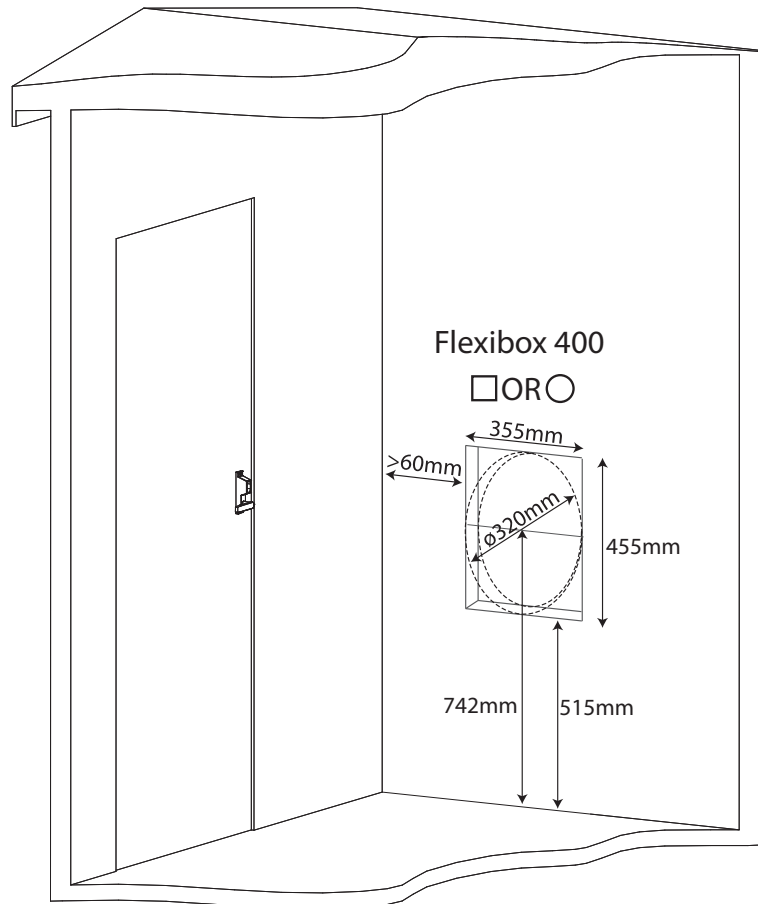
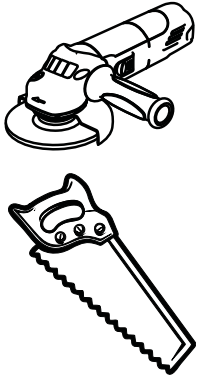
Step 1/3



CA indoor

368400

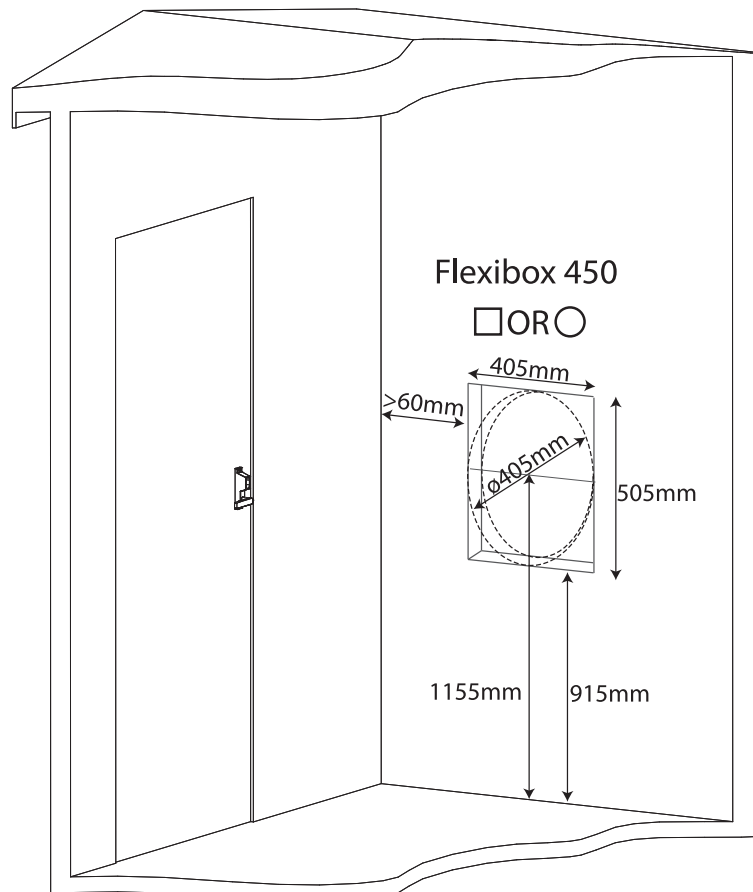
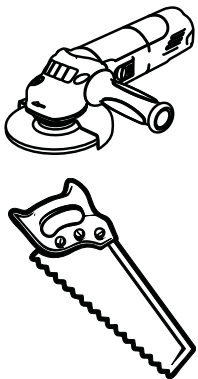
Step 1 / 3



SA indoor

368450

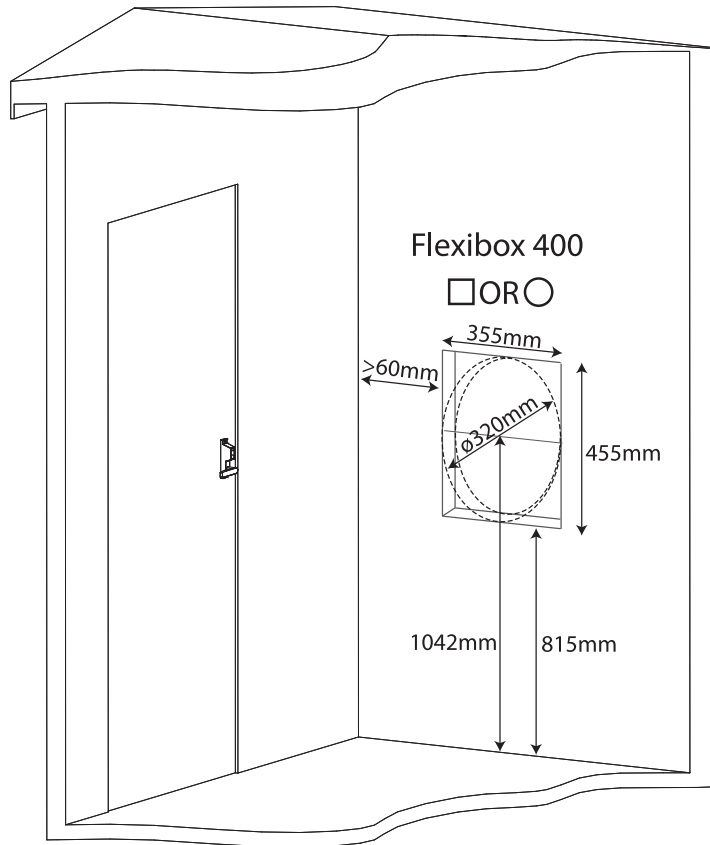
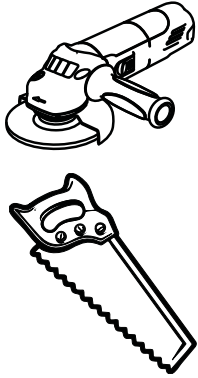
Step 1 / 3



SA indoor

368400

Step 1 / 3

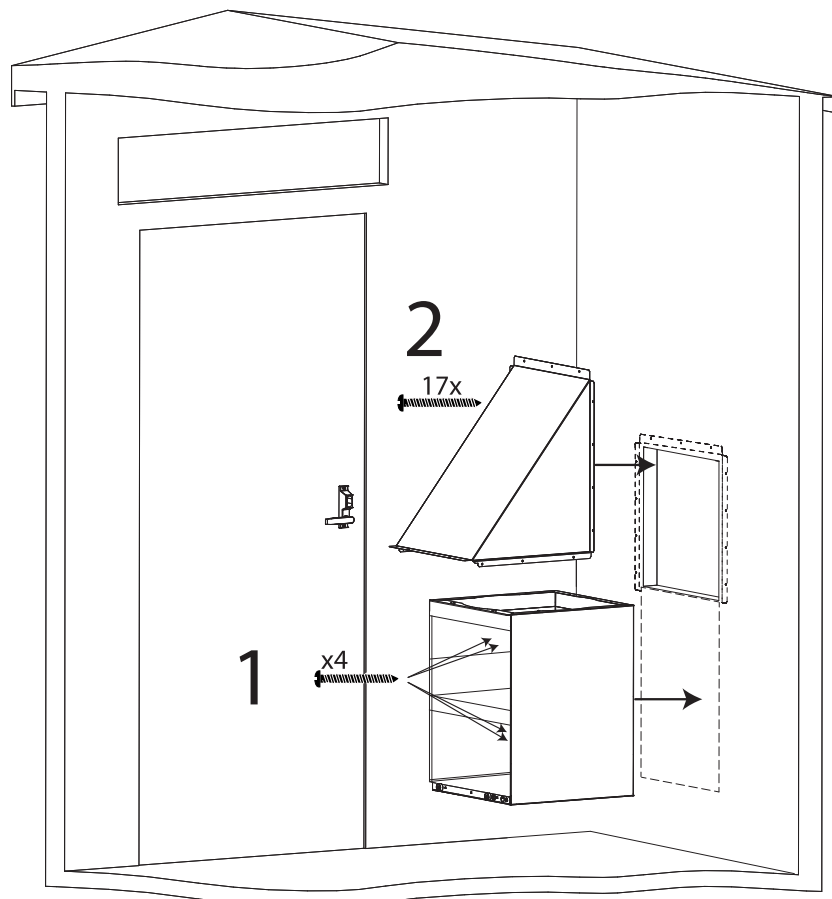
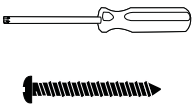


CA / SA

368400

368450

Step 2 / 3

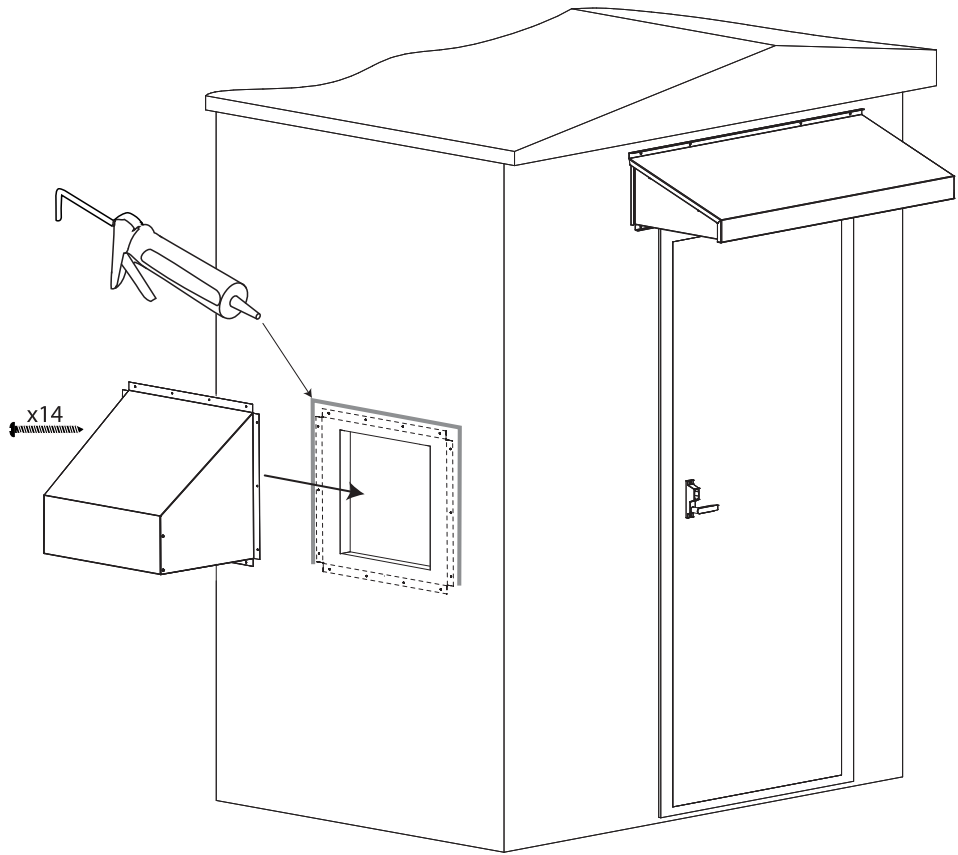
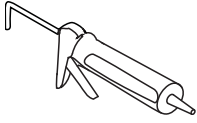
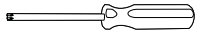


CA / SA

368400

368450

Step 3/3



All

368400

368450

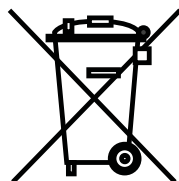


QSG

Notes:

Notes:

Notes:



Dantherm can accept no responsibility for possible errors and changes – Irrtümer und Änderungen vorbehalten – Dantherm n'assume aucune responsabilité pour erreurs et modifications éventuelles – Dantherm se exime de cualquier responsabilidad por errores y cambios realizados.



072342

**Dantherm A/S**  
Marienlystvej 65  
7800 Skive  
Danmark  
[www.dantherm.com](http://www.dantherm.com)  
[service@dantherm.com](mailto:service@dantherm.com)

**Dantherm®**  
CONTROL YOUR CLIMATE